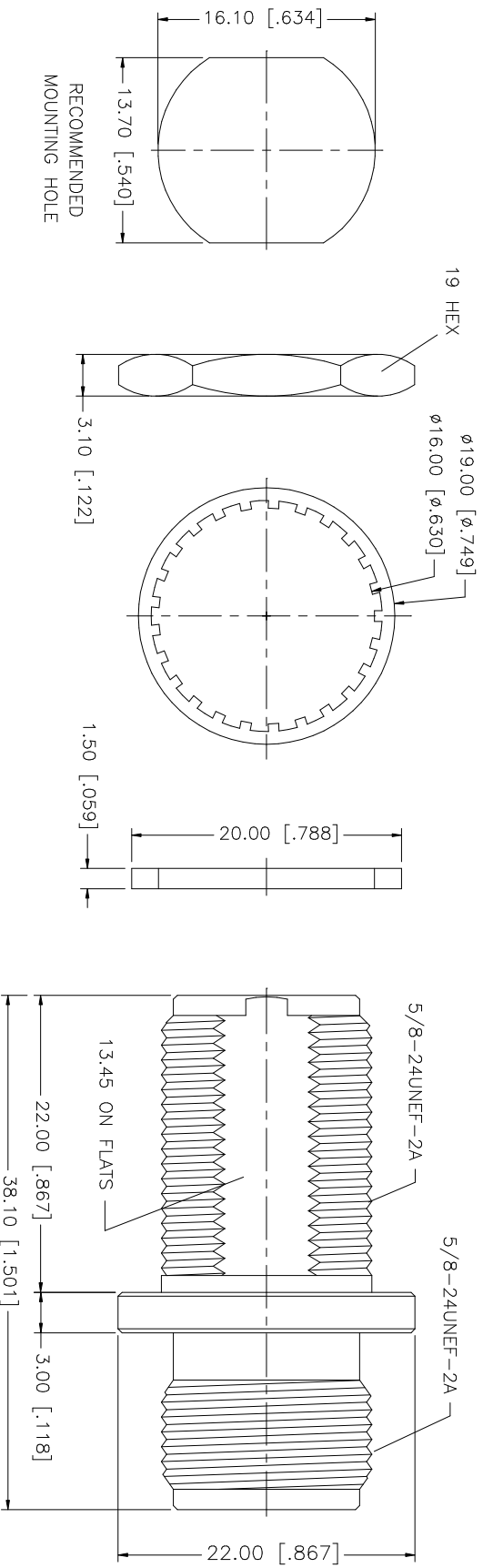


| REV. | DATE     | DESCRIPTION     |
|------|----------|-----------------|
| NC   | 02/28/03 | INITIAL RELEASE |



NOTE:  
1. MAX. PANEL THICKNESS = 6.5mm [.255"]

| QTY | DESCRIPTION  | MATERIAL     | FINISH  | QTY | DO NOT SCALE DRAWING  | APPROVALS   | DATE             | DWG. NO.   | REV. | NC | SIZE | SCALE |
|-----|--------------|--------------|---------|-----|---|---|------------------|------------|------|----|------|-------|
| 1   | INSULATOR    | TEFLON       | NATURAL | 1   | .020 - .315 = ± 0.007"  | APPROVALS<br>G.R.S.<br>02/28/03   | DATE<br>02/28/03 | 172124.DWG | NC   | A  | NA   |       |
| 1   | HOUSING/BODY | BRASS        | NEXCOTE | 1   | .315 - 1.180 = ± 0.015"   |   |                  |            |      |    |      |       |
| 1   | INSULATOR    | TEFLON       | NATURAL | 1   | 1.180 - 4.724 = ± 0.020"  |   |                  |            |      |    |      |       |
| 1   | CONTACT PIN  | PHOS. BRONZE | GOLD    | 1   | 0.5 - 8mm ± 0.20mm  | PART DESCRIPTION<br><b>N JACK TO JACK BULKHEAD ADAPTER</b><br>PART NO. 172124 | DATE<br>02/28/03 | 172124.DWG | NC   | A  | NA   |       |
| 1   | GASKET       | SILICONE     | RED     | 1   | 8 - 30mm ± 0.40mm   |   |                  |            |      |    |      |       |
| 1   | LOCK WASHER  | BRASS        | NEXCOTE | 1   | 30 - 120mm ± 0.50mm   |   |                  |            |      |    |      |       |
| 1   | HEX NUT      | BRASS        | NEXCOTE | 1   | UNLESS OTHERWISE SPECIFIED DIMENSIONS ARE IN MILLIMETERS; DIMENSIONS IN [ ] ARE IN INCHES AND FOR CUSTOMER REFERENCE ONLY. TOLERANCES FOR MILLIMETERS ARE:<br>UNLESS OTHERWISE SPECIFIED TOLERANCES FOR INCHES ARE:<br>0.5 - 8mm ± 0.20mm<br>8 - 30mm ± 0.40mm<br>30 - 120mm ± 0.50mm |   |                  |            |      |    |      |       |
| 8   |              |              |         |     | UNLESS OTHERWISE SPECIFIED DIMENSIONS ARE IN MILLIMETERS; DIMENSIONS IN [ ] ARE IN INCHES AND FOR CUSTOMER REFERENCE ONLY. TOLERANCES FOR MILLIMETERS ARE:<br>UNLESS OTHERWISE SPECIFIED TOLERANCES FOR INCHES ARE:<br>0.5 - 8mm ± 0.20mm<br>8 - 30mm ± 0.40mm<br>30 - 120mm ± 0.50mm |   |                  |            |      |    |      |       |

**Amphenol Connex**

N JACK TO JACK BULKHEAD ADAPTER

172124

CAD FILE C:/172/172124.DWG

DWG. NO. 172124.DWG

REV. NC

SIZE A

SCALE NA